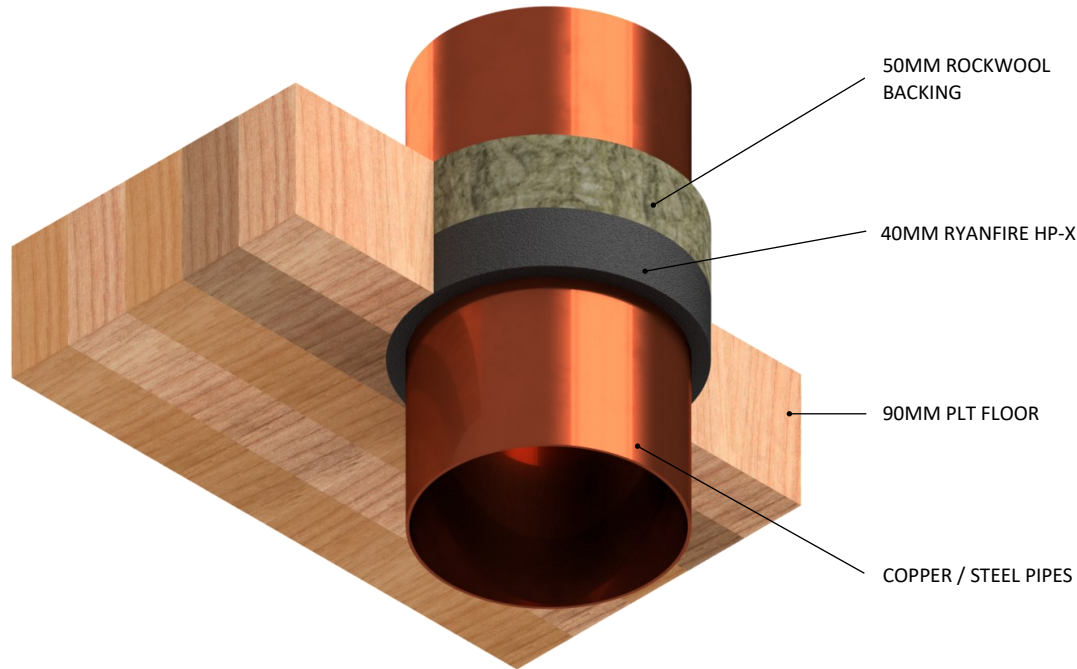


INSTALLATION INSTRUCTIONS

1. ENSURE THE APERTURE IS CLEAN AND FREE OF ANY DUST AND DEBRIS.
2. INSERT A 50MM DEEP ROCKWOOL BACKING INTO THE ANNULAR GAP AROUND THE COPPER PIPE.
3. APPLY RYANFIRE HP-X TO A DEPTH OF 40MM INTO THE ANNULAR GAP. ENSURE THE GAP IS COMPLETELY FILLED.
4. REMOVE ANY EXCESS HP-X WITH A DAMP CLOTH.



Products:	RYANFIRE HP-X
Approval:	AS 1530.4/4072.1
BK:	87
Ref:	PF 20061
ID:	B
Scenario:	Penetration seal to non-combustible pipes
Services:	Up to Ø150mm copper/ steel pipes
Annular:	7mm — 18mm
Construction:	90mm PLT floor
Fire Integrity:	60 minutes
Fire Insulation:	0 minutes

Web based drawings are for example only, fire performance of any system is dependant on, but not limited to size of opening, substrate, if penetrations are passing through, type, size and number. Please refer to Ryanfire technical department for detailed and specific fire performance information.



Client

Job Title

Drawing Title

**Ryanfire HP-X to copper / steel pipes
Parallel Laminated Timber floor**

Scale	Date
NTS	November 2020

Sheet Size	Drawn By
A3	

Drawing Number	Rev
V9.10	1.0

Please note:
Ryanfire Products Ltd owns and has copyright in these drawings. They are to be used only for the purpose for which they were intended and supplied and are not to be sold, transferred or made available for use by a third party.

Any misuse of these drawings will result in legal proceedings.

All errors and omissions excepted - the Information contained within this drawing is believed to be correct on the date of publication, and is based upon tested and certified solutions. The policy of **RyanFire Products Ltd** is one of constant improvement. Installers must therefore ensure that they are following the latest published drawings, test evidence and instructions. Whilst **RyanFire Products Ltd** will endeavour to keep its publications up to date, the accuracy of the information contained within this drawing may be affected by pertinent changes in the law or regulatory requirements and alterations or amendments to the specification of the **manufactured** products. Terms and conditions of sale apply.

RYANFIRE Technical Support: info@ryanfire.co.nz - Tel 09 443 0362