

DESCRIPTION

Ryanfire TD Collars, also known as “drop-in” collars, are designed to maintain the fire resistance of fire rated floors where they are penetrated by various services. The TD collars consist of a high quality stainless steel case lined with a highly reactive graphite infused material.

Upon exposure to heat the TD collar will quickly and effectively close any openings that may form due to the melting away of services.

CERTIFICATION

Ryanfire TD Collars have been tested and assessed in accordance with AS1530.4:2014 and AS4072.1:2005 at IANZ/NATA accredited laboratories.

APPLICATION

Ryanfire TD Collars are designed to be installed from the top of the floor and have been tested in various types of floors including masonry, concrete, composite floors and timber infill. The TD collars are suitable to protect a wide range of services :

HVAC bundles	uPVC	PPR
PP-MD	PE-RT	Polybutylene
HDPE	PEX-AL	PEX

PRODUCT DIMENSIONS

Ryanfire TD Collars have been designed to fit most common services and come in the following sizes:

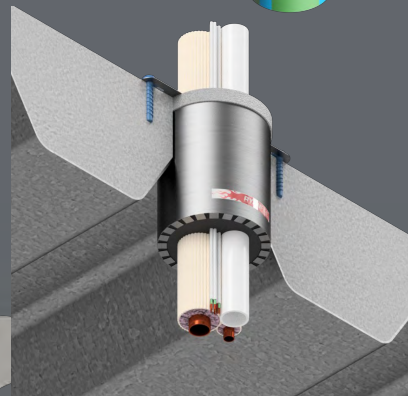
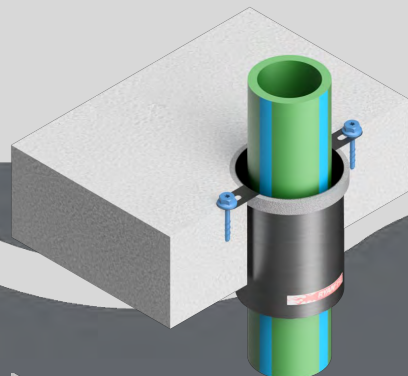
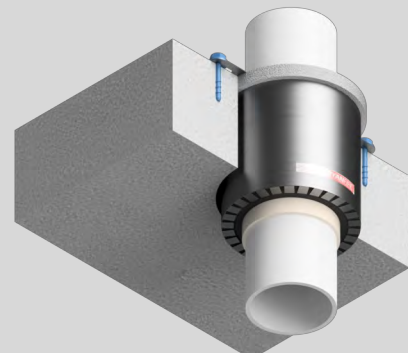
Code	TD 40	TD 55	TD 65	TD 80	TD 100	TD 125	TD 150
Collar Inside Ø mm	45	55	65	84	110	125	164
Collar Outside Ø mm	58	68	85	102	136	152	200
Collar Height mm	130	130	130	130	130	130	130
Core Hole Ø mm	72	82	102	112	152	162	225

NOTE: Sizes and dimensions are nominal.



Ryanfire TD Collar

Ryanfire TD Collars are usually used in conjunction with other Ryanfire products. Please contact the technical department for specific and more detailed “V” drawings.



FEATURES

- Tested to AS1530.4:2014
- Easy installation
- Stainless steel
- Retro fit capable
- Up to 120mins FRR

The information provided in this document is issued in good faith. As part of Ryanfire Products Ltd ongoing product development and testing, we reserve the right to modify product specifications without notice. Any drawings given are for illustrative purposes only. Ryanfire Products Ltd accepts no liability whatsoever for any loss, damage or injury arising from the misinterpretation or misuse of the information given. Subject to our standard terms and conditions.



For more information please contact Ryanfire
info@ryanfire.co.nz 09 443 0362