

## DESCRIPTION

Ryanfire Rokwrap is a lightweight, flexible, foil-faced stone wool used for insulating non-combustible pipes where they breach fire rated separations.

Rokwrap is capable of withstanding high temperatures and will prevent the conducting of heat through services penetrating fire rated walls.

## CERTIFICATION

Ryanfire Rokwrap has been tested and assessed in accordance with AS1530.4:2014 and AS4072.1:2005 at IANZ/NATA accredited laboratories.

## APPLICATION

Ryanfire Rokwrap is designed to protect and insulate non-combustible pipes where they pass through fire rated plasterboard walls.

Rokwrap should be wrapped tightly around these services on each side of the separating element.

Rokwrap is suitable to protect :

- Copper pipes
- Brass pipes
- Stainless steel pipes
- Steel pipes

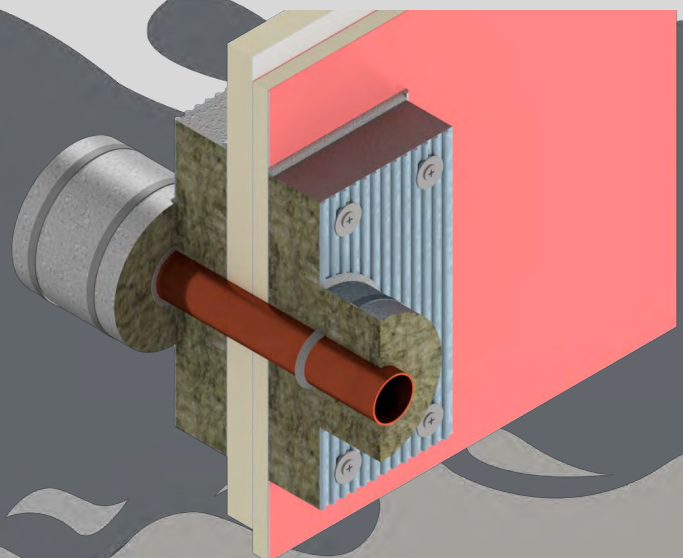
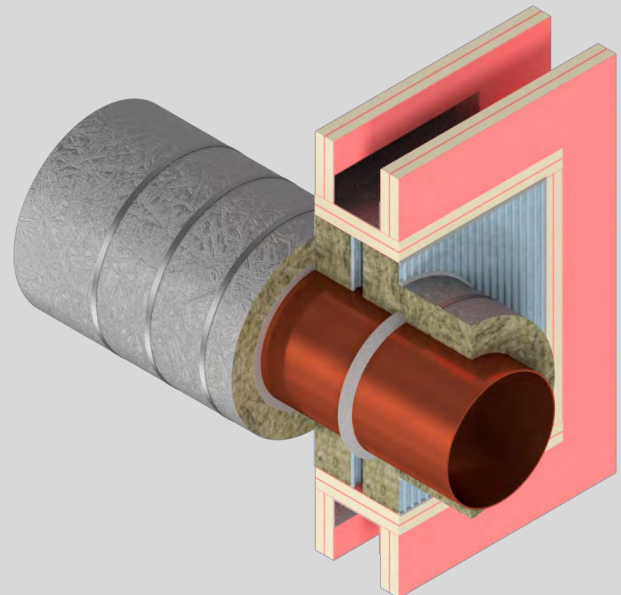
## PRODUCT DIMENSIONS

Ryanfire Rokwrap is 1000mm wide x 40mm thick and is available in rolls of 7 metres.



Ryanfire Rokwrap

Ryanfire Rokwrap is used in conjunction with other Ryanfire products. Please contact the technical department for specific and more detailed "V" drawings.



## FEATURES

- Tested to AS1530.4:2014
- Superior handling - quick installation
- Lightweight
- High thermal performance
- Up to 120 mins FRR

The information provided in this document is issued in good faith. As part of Ryanfire Products Ltd ongoing product development and testing, we reserve the right to modify product specifications without notice. Any drawings given are for illustrative purposes only. Ryanfire Products Ltd accepts no liability whatsoever for any loss, damage or injury arising from the misinterpretation or misuse of the information given. Subject to our standard terms and conditions.

For more information please contact Ryanfire  
info@ryanfire.co.nz 09 443 0362